

NutraSpray

EXTERNAL TABLET LUBRICATION SYSTEM



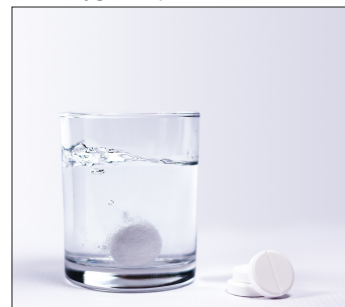
The NutraSpray is a unique punch face and die wall lubrication system that continuously sprays dry lubricant onto tablet press tooling, delivering a consistent and verifiable amount of lubricant onto the product outer surface.

It is the ideal solution to cope with issues such as capping, sticking, too high ejection force, chemical incompatibility with formulation or poor dissolution.

The system applies only the needed amount of lubricant while vacuuming the excess directly from the nozzle to keep the production environment clean.

It therefore helps to reduce the amount of dry lubricant in the blend, or even eliminate it in the case of new formulations.

Recommended in
hygroscopic formulation

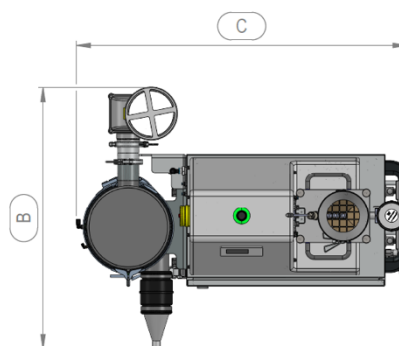
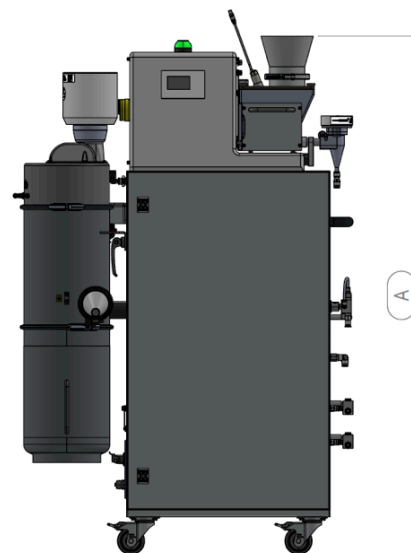


Prevent capping and
sticking issues



- Accurate spray rate
- Consistent amount of lubricant sprayed
- High under pressure vacuum integrated to prevent lubricant recirculation
- Handling different types of lubricant
- Reliable and robust
- Retrofittable to all existing tablet presses
- Available for single and double sided tablet press
- Fast & easy dismantling and cleaning
- Small footprint

Technical data	NutraSpray
Total Height (A)	1529 mm
Floor dimension (BxC)	800 mm x 1000 mm
Packaging	Box on 1 US pallet
Net weight	180 Kg
Gross weight	200 Kg
Tablet size	1-28 mm
Spraying range	1,5-15 g/min
Requested compressed air	min. 6 bar, 600 Ln/min
Compressed air connection	KS4
Noise level	<76 dB
Power supply	110V / 230V
Frequency	50 Hz / 60 Hz
Contact parts finishing	RA < 0,5 µm
Frame parts	Stainless steel 304
Frame finishing	Brushed 320 Sandblasted
Frame mounted on wheels	Yes
IQ-OQ protocol	Available
Material certificates	Available
Hepa Filter	Standard
Available options :	
Dispensing system (15L)	Yes



Dust tight dispensing system



Easily retrofittable to all tablet presses



PHARMA  TECHNOLOGY

Rue Graham Bell 8
B-1402 Thines (Nivelles)
Belgium
Tel: +32 67 70 13 00

E-Mail: info@pharmatec.be - Web site: www.pharmatec.be